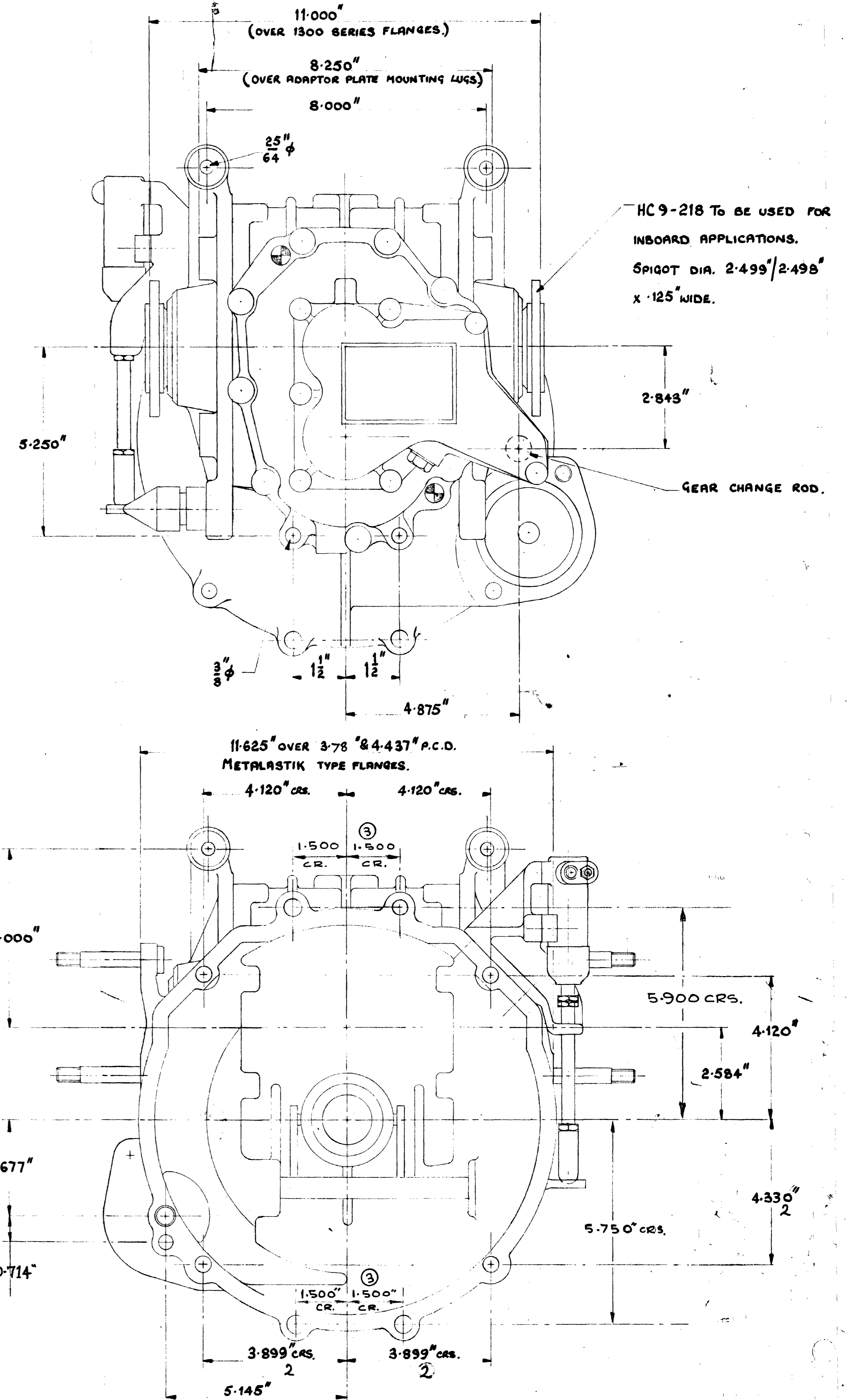


**GENERAL DESCRIPTION.**

4 OR 5 FORWARD SPEEDS, AND REVERSE.  
 RATIOS TO CUSTOMERS CHOICE, FROM 12:38 TO 27:24.  
 SPIRAL BEVEL C.W.P. RATIO 10:31. 9:31. 8:31. 7:31. 13:36.  
 WEIGHT, 70 lbs. APPROX.  
 LUBRICATION BY SPLASH.  
 OIL CAPACITY:- 2 IMP. PINTS.  
 TYPE:- SAE 80 OR 90.  
 INBOARD BRAKE ADAPTOR PLATES ARE AVAILABLE FOR THE FOLLOWING BRAKES:-  
 PART. HC9.205 C1. - GIRLING CALIPER. 14LF MR.3.  
 HC9.205 C2. - LOCKHEED CALIPER. CP2399.  
 HC9.205 C3. - LOCKHEED CALIPER. CP 2398.  
 HC9.205 C4. - PARTLY MACHINED ADAPTOR - TO  
 BE FINISHED BY CUSTOMER TO HIS OWN REQUIREMENTS.

**GEAR SHIFT PATTERNS.**



ISSUE	MODIFICATION	DATE	SCALE	DRAWN	DATE	MACHINING TOL: UNLESS STATED DECIMALS TO BE WITHIN ±.005 FRACTIONS TO BE WITHIN ± 1/64 FOR METRIC DIMS. SEE NOTE. REMOVE ALL SHARP EDGES.	HEWLAND ENG. LTD. MAIDENHEAD.
			1/2 FULL SIZE. DIMENSIONS INCH. <td>SD. <td>29-8-73 <td>TITLE</td> <td>DRG. NO.</td> </td></td>	SD. <td>29-8-73 <td>TITLE</td> <td>DRG. NO.</td> </td>	29-8-73 <td>TITLE</td> <td>DRG. NO.</td>		
			FINISH	APP. FOR PROD.	DATE	INSTALLATION DRAWING.	
			HEAT TREAT.	MATERIAL		Type. HC9-200.	HC9-200
3	UPDATED HOLES ADDED	13-11-01					
2	WAS 3-880/4-370	11/28/73					
1	WAS 9-686	11/28/73					